

FBFA Series
Ferrite Bead
Size 4030



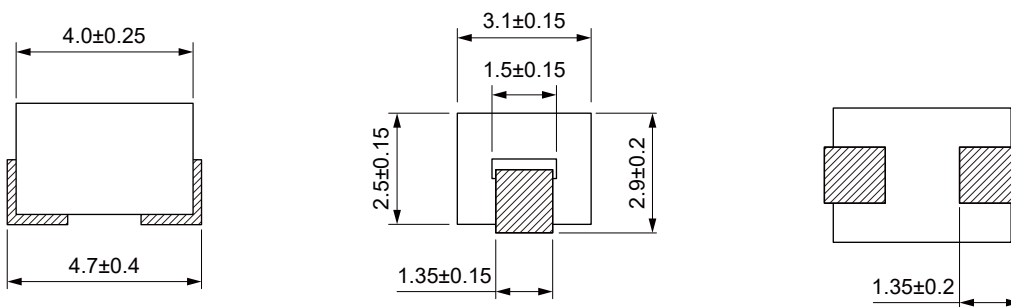
FEATURES

- 100% Lead(Pb) & Halogen-Free and RoHS compliant
- AEC-Q200 qualified
- Operating temperature: -55 to +125 °C (including self-temperature rise)

APPLICATION

- Power Line filter for body controls,electromotor and car multimedia etc.

Dimensions: [mm]



Electrical Properties:

Part No	Impedance @25MHz (Ω)	Impedance @100MHz (Ω)	DC Resistance Max. (mΩ)	Temperature Rise Current $\Delta T=40^\circ\text{C}$ Typ. (A)	Temperature Rise Current $\Delta T=60^\circ\text{C}$ Typ. (A)
FBFA4030-530-152R	35±25%	53±25%	0.60	15.0	18.0

Typical Electrical Characteristics:

Impedance VS Frequency

