

**FBFA Series**  
**Ferrite Bead**  
**Size 8530**



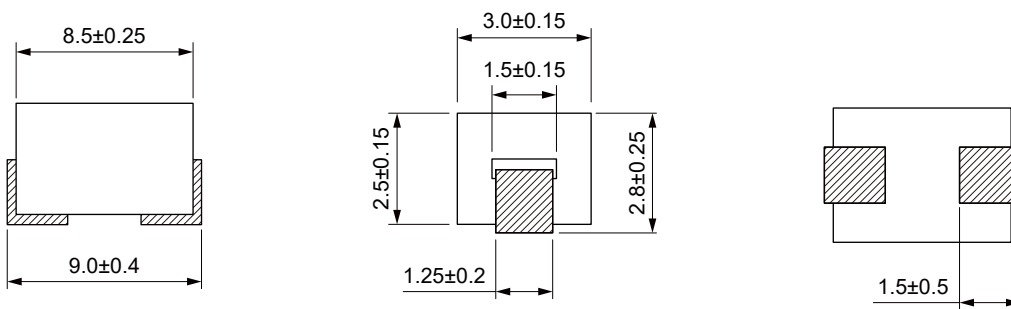
**FEATURES**

- 100% Lead(Pb) & Halogen-Free and RoHS compliant
- AEC-Q200 qualified
- Operating temperature: -55 to +125 °C (including self-temperature rise)

**APPLICATION**

- Power Line filter for body controls,electromotor and car multimedia etc.

**Dimensions: [mm]**



**Electrical Properties:**

Part No	Impedance @25MHz (Ω)	Impedance @100MHz (Ω)	DC Resistance Max. (mΩ)	Temperature Rise Current ΔT=40 °C Typ. (A)	Temperature Rise Current ΔT=60 °C Typ. (A)
FBFA8530-101-132R	65±25%	100±25%	1.00	13.0	18.0

**Typical Electrical Characteristics:**

**Impedance VS Frequency**

