

**SCM Series**  
Common Mode Filter  
Size 2012



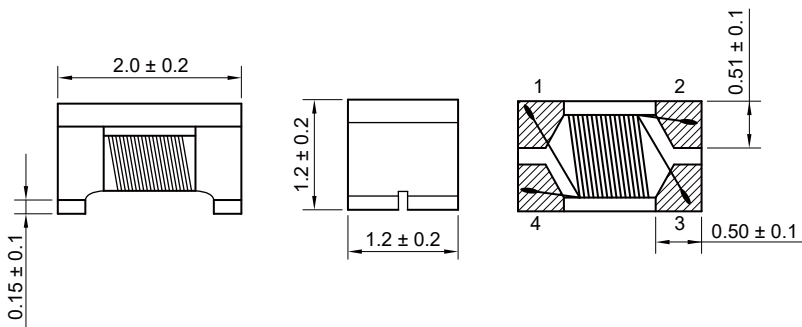
**FEATURES**

- High common mode impedance for outstanding noise suppression performance.
- Realize small size and low profile. 0\*0\*2mm
- Operating temperature -40~+125 C
- Excellent solderability
- Quantity: 2000pcs

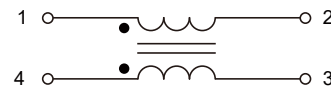
**APPLICATIONS**

- USB2.0 lines for PC, TV, Peripheral equipments
- Standard signal lines
- Audio lines

**Dimensions: [mm]**



**Schematic:**



**Electrical Properties:**

Part No	Impedance @ 100 MHz (Ω)	Tolerance	DC Resistance Max. (Ω)	Rated Current Max. (mA)	Rated Volt Max. (Volts)	Withstand Volt Max. (Volts)	IR Min. (MΩ)
SCM2012-670-04	67	±25%	0.25	400	50	125	10
SCM2012-900-04	90	±25%	0.30	400	50	125	10
SCM2012-121-04	120	±25%	0.30	400	50	125	10
SCM2012-161-04	160	±25%	0.35	350	50	125	10
SCM2012-181-04	180	±25%	0.35	350	50	125	10
SCM2012-201-03	200	±25%	0.40	300	50	125	10
SCM2012-221-03	220	±25%	0.40	300	50	125	10
SCM2012-261-03	260	±25%	0.40	300	50	125	10
SCM2012-361-03	360	±25%	0.50	300	50	125	10
SCM2012-601-03	600	±25%	0.88	300	50	125	10
SCM2012-801-03	800	±25%	0.88	300	50	125	10
SCM2012-102-01	1000	±25%	1.30	100	50	125	10

