

**SCM Series**  
Common Mode Filter  
Size 3216



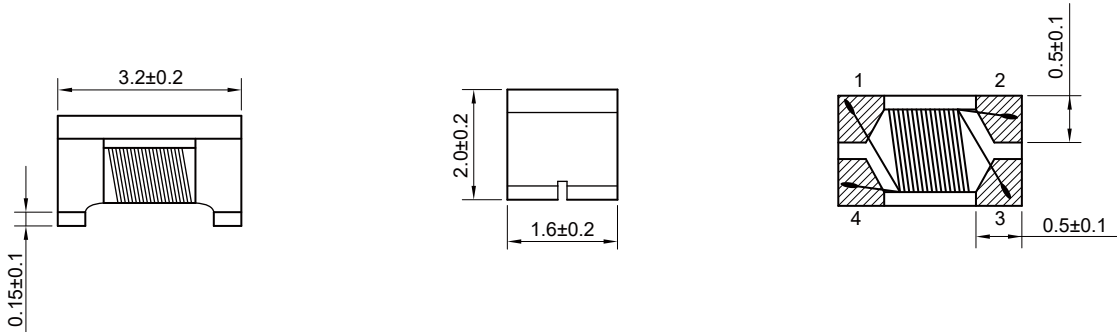
**FEATURES**

- High common mode impedance for outstanding noise suppression performance.
- Small influence on high speed signals through good coupling.
- Operating temperature -40~+125 C (Including self - temperature rise)
- Excellent solderability

**APPLICATIONS**

- USB2.0 lines for PC, TV, Peripheral equipments
- Standard signal lines
- Audio lines

**Dimensions: [mm]**



**Schematic:**



**Electrical Properties:**

Part No	Impedance @ 100 MHz (Ω)	Tolerance	DC Resistance Max. (Ω)	Rated Current Max. (mA)	Rated Volt Max. (V)	Withstand Volt Max. (V)	IR Min. (MΩ)
SCM3216-900-04	90	±25%	0.30	400	50	125	10
SCM3216-121-03	120	±25%	0.30	350	50	125	10
SCM3216-161-03	160	±25%	0.40	350	50	125	10
SCM3216-221-03	220	±25%	0.45	300	50	125	10
SCM3216-261-03	260	±25%	0.50	300	50	125	10
SCM3216-361-03	360	±25%	0.60	300	50	125	10
SCM3216-601-03	600	±25%	0.80	300	50	125	10
SCM3216-102-02	1000	±25%	1.00	200	50	125	10
SCM3216-222-02	2200	±25%	1.20	200	50	125	10

Typical Electrical Characteristics:

Impedance VS Frequency

