

**SCM L Series**  
Common Mode Filter  
Size 4532



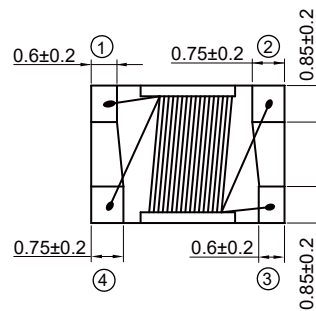
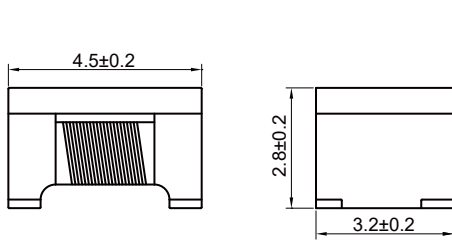
**FEATURES**

- Compact products, whose characteristics are equivalent to that of conventional products
- Common mode filters for Signal Line
- Operating temperature range: -40 to +125 °C
- Quantity: 500pcs

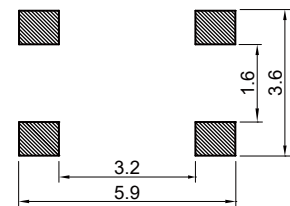
**APPLICATION**

- USB2.0 lines for PC, TV, Peripheral equipments
- Standard signal lines
- Audio lines
- Power lines
- CAN BUS

**Dimensions: [mm]**



**Land Pattern: [mm]**



**Schematic:**

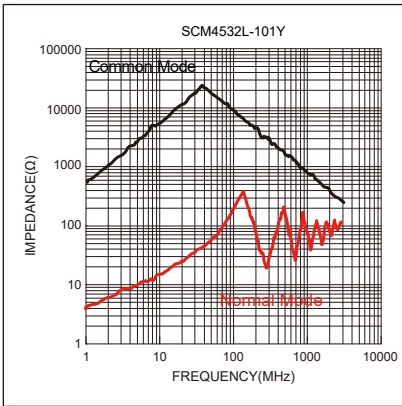
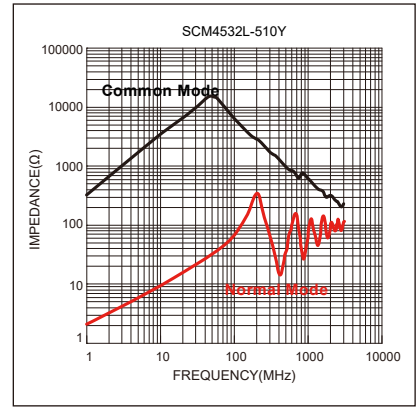
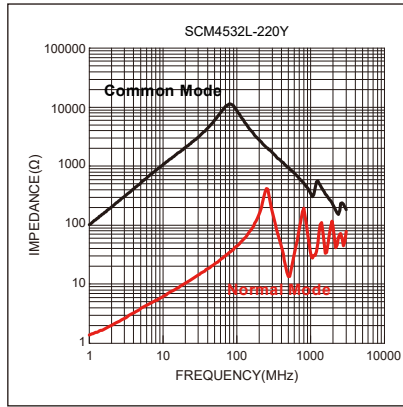
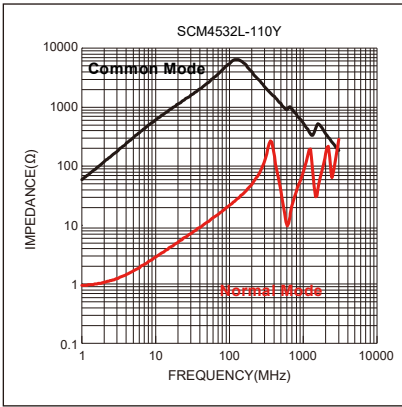


**Electrical Properties:**

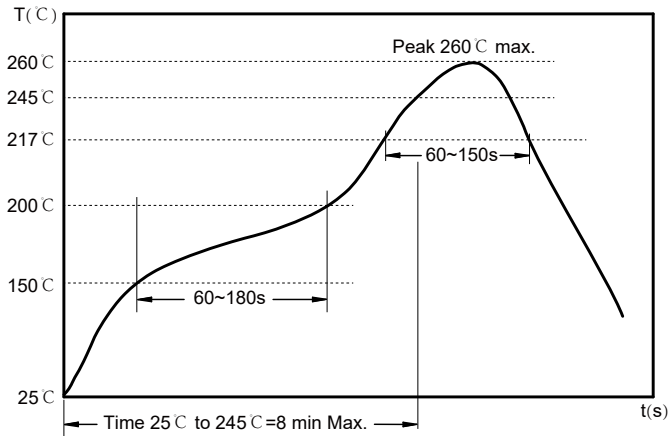
Part No	Z @ 10 MHz		L @ 100kHz/0.1V (μH)	Tol.	I <sub>R</sub> Max. (mA)	R <sub>DC</sub> Max. (Ω)	V <sub>DC</sub> (Volts)	IR (MΩ)
	Min. (Ω)	Typ. (Ω)						
SCM4532L-110Y	300	600	11	+50%/-30%	360	0.6	50	10
SCM4532L-220Y	500	1200	22	+50%/-30%	310	1.0	50	10
SCM4532L-510Y	1000	2800	51	+50%/-30%	230	1.0	50	10
SCM4532L-101Y	2000	5800	100	+50%/-30%	200	2.0	50	10

I<sub>R</sub> referring to 20K self-heating above ambient temperature

Typical Electrical Characteristics:



### Soldering Reflow:



Preheat condition: 150 ~200 C / 60~180 sec.

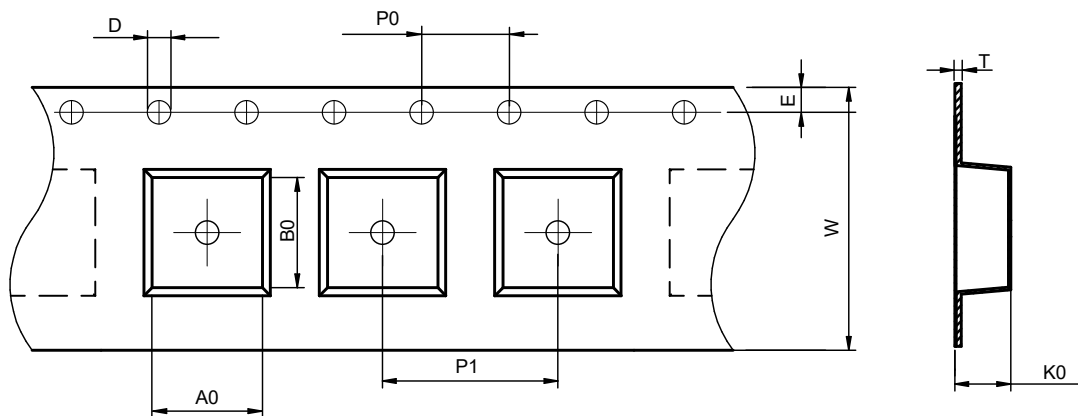
Allowed time above 217 C : 60~150 sec.

Max temperature: 260 C

Max time at max temperature: 10 sec..

### Packaging Information:

#### Tape Dimension:

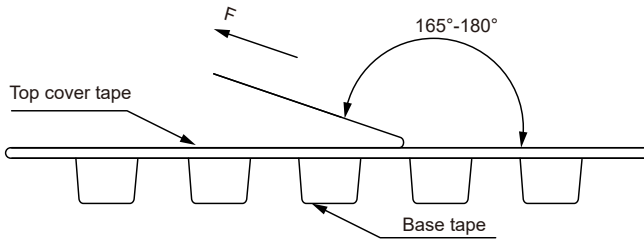


Series	A0 (mm)	B0 (mm)	D (mm)	P0 (mm)	P1 (mm)	W (mm)	K0 (mm)	E (mm)	T (mm)
SCM4532L	3.60±0.1	4.90±0.1	1.5±0.1	4.0±0.1	8.0±0.1	12.0±0.3	3.0±0.1	1.75±0.1	0.26±0.05

### Product Marking:

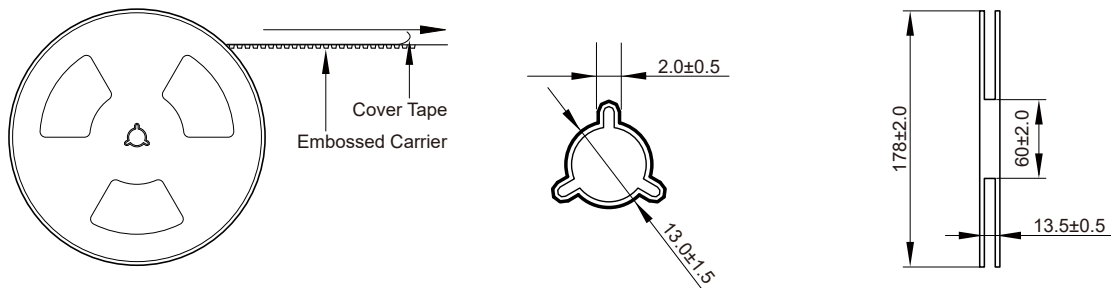
Marking	No printing
---------	-------------

Peel force of top cover tape:

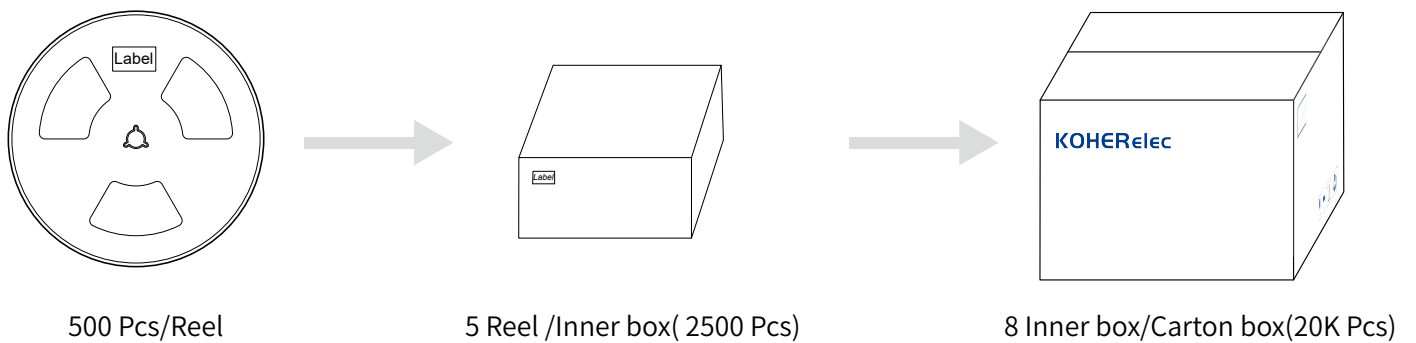


The peel force of top cover tape shall be between 0.14 to 0.78 N

Reel Dimension: [mm]



Packaging Quantity:



## Cautions and Warnings:

### Storage Conditions:

- The storage period is within 12 months after the completion of production. Be sure to follow the storage conditions (temperature: -5 to 35°C, humidity: 75% RH Max). If the storage period elapses, the soldering of the terminal electrodes may deteriorate. The warranty period is one year.
- Product should not be exposed to environment with high temperature, high humidity, dust, corrosive gas and etc.
- Products should be handled with care to avoid damage or contamination from perspiration and skin oils.
- Please always handle products carefully to prevent any damage caused by dropping down or inappropriate removing.

### Operation Instructions:

- Self heating (temperature increase) occurs when the power is turned ON, so the tolerance should be sufficient for the set thermal design.
- Before soldering, be sure to preheat components. The preheating temperature should be set so that the temperature difference between the solder temperature and chip temperature does not exceed 150°C.
- Soldering corrections after mounting should be within the range of the conditions determined in the specifications. If overheated, a short circuit, performance deterioration, or lifespan shortening may occur.
- Generally, Koher might not be familiar with either customer's specific application or actual requests as customer does. As a result customer shall be responsible for checking and confirming whether Koher product with the performance described in the product specification is suitable for using in customer's particular application or not.

### Conformal coating:

- The inductance value may change due to the high cure stress of the resin used for coating or molding.
- An open circuit may occur due to mechanical stress from the resin, its amount, cured shape, or operating conditions.
- Please exercise careful attention when selecting a resin for the coating or molding process.
- Prior to using the coating resin, please verify that no reliability issues are observed.
- When applying conformal coating for product protection, materials with a high shrinkage rate should be avoided. If such materials must be used, it is recommended to apply silicone around the inductor core in a closed loop to prevent the conformal coating from flowing into or penetrating the windings, thereby avoiding open-circuit failures caused by the coating's thermal stress.